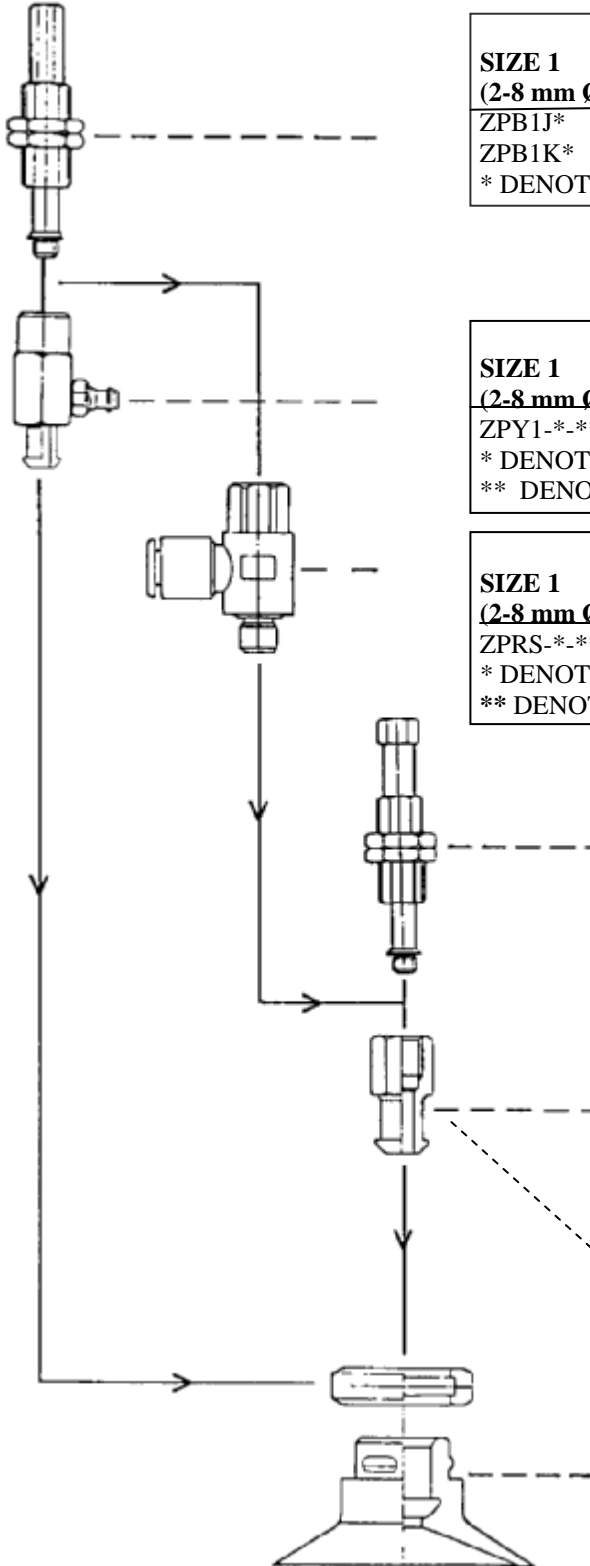


VACUUM ASSEMBLY CONFIGURATION

Select the appropriate vacuum assembly size based on the pad diameter.
Use the catalogue in determining the correct vacuum assembly configuration.



ZPR / ZPY BUFFER			
SIZE 1 (2-8 mm Ø)	SIZE 2 (10-16 mm Ø)	SIZE 3 (20-32 mm Ø)	SIZE 4 (40-50 mm Ø)
ZPB1J*	ZPB2J*	ZPB2J*	ZPB2J*
ZPB1K*	ZPB2K*	ZPB2K*	ZPB1K*

* DENOTES BUFFER STROKE IN mm found in part # (ie ZPB2J20)

ZPY ADAPTER			
SIZE 1 (2-8 mm Ø)	SIZE 2 (10-16 mm Ø)	SIZE 3 (20-32 mm Ø)	SIZE 4 (40-50 mm Ø)
ZPY1-*_**	ZPY2-*_**	ZPY3-*_**	ZPY4-*_**

* DENOTES VACUUM ENTRY TUBING SIZE
** DENOTES MOUNTING THREAD found in part # (ie ZPY2-N4-B5)

ZPR ADAPTER			
SIZE 1 (2-8 mm Ø)	SIZE 2 (10-16 mm Ø)	SIZE 3 (20-32 mm Ø)	SIZE 4 (40-50 mm Ø)
ZPRS-*_**	ZPRS-*_**	ZPRL-*_**	ZPRL-*_**

* DENOTES VACUUM ENTRY TUBING SIZE
** DENOTES MOUNTING THREAD found in part # (ie ZPRS-04-B5)

ZPT BUFFER			
SIZE 1 (2-8 mm Ø)	SIZE 2 (10-16 mm Ø)	SIZE 3 (20-32 mm Ø)	SIZE 4 (40-50 mm Ø)
ZPB1J*_**	ZPB2J*_**	ZPB2J*_**	ZPB3J*_**
ZPB1K*_**	ZPB2K*_**	ZPB2K*_**	ZPB3K*_**

* DENOTES BUFFER STROKE IN mm
** DENOTES VACUUM ENTRY PORT SIZE found in part # (ie ZPT2K20-B5)
NOTE: SIZE 1 ZPT BUFFERS DO NOT NEED ADAPTER STATED BELOW

ADAPTER WITHOUT BUFFER			
SIZE 1 (2-8 mm Ø)	SIZE 2 (10-16 mm Ø)	SIZE 3 (20-32 mm Ø)	SIZE 4 (40-50 mm Ø)
ZPT1-*	ZPT2-*	ZPT3-*	ZPT4-*

*DENOTES VACUUM ENTRY PORT SIZE found in part # (ie ZPT2-A5)

ADAPTER WITH BUFFER			
SIZE 1 (2-8 mm Ø)	SIZE 2 (10-16 mm Ø)	SIZE 3 (20-32 mm Ø)	SIZE 4 (40-50 mm Ø)
ZPT1-B5	ZPT2-B5	ZPT3-B5	ZPT4-B8

NOTE: SIZE 1 ZPT BUFFERS DO NOT NEED ADAPTER

PAD			
SIZE 1 (2-8 mm Ø)	SIZE 2 (10-16 mm Ø)	SIZE 3 (20-32 mm Ø)	SIZE 4 (40-50 mm Ø)